

LNB C-BAND DRO 8000



TYPICAL SPECIFICATIONS

Noise temperature maximum	15K to 25K depending on model number
L.O. stability maximum (over temperature)	±100 kHz to ±500 kHz depending on model number
Phase noise (SSB) maximum	-65 dBc/Hz at 1 kHz -80 dBc/Hz at 10 kHz -95 dBc/Hz at 100 kHz
Input VSWR maximum	2.0 : 1
Output VSWR maximum	2.5 : 1

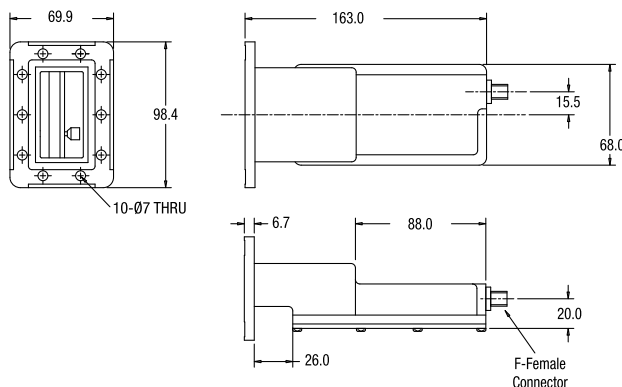
Conversion gain	55 dB min 70 dB max
Output P1dB minimum	8 dBm
Power requirements	+15 to +24 V supplied through center conductor of IF cable
Current drain maximum	200 mA
Dimensions	180 (L) x 100 (W) x 70 (H) mm (7.1 x 4.0 x 2.8 in)
Weight	425 g / 15 oz

FREQUENCY BANDS AVAILABLE

Typical service	8000
Input frequency (GHz)	3.40 to 4.20 GHz
L.O. frequency (GHz)	5.15 GHz
Output frequency (MHz)	950 to 1750 MHz

HOW TO ORDER C-BAND 8000

8215F	CONNECTOR	F - 75 Ohm N - 50 Ohm
	NOISE TEMPERATURE	15 - 15 K 20 - 20 K 25 - 25 K
	L.O. STABILITY	1 - ±100 kHz 2 - ±250 kHz 5 - ±500 kHz
	LNB SERIES #	



MECHANICAL DIAGRAM

Americas & Asia Pacific Tel: +1.604.292.9000
Fax: +1.604.292.9100
TOLL FREE: +1.800.644.4562

Europe, Middle East and Africa Tel: +44 1522 730800
Fax: +44 1522 730927

e-mail: sales@norsat.com
www.norsat.com