

DCH-3000P

Professional Digital IRD

Headend System



DCH-3000P-S/C/T series are high performance-to-price ratio IRDs. User can insert up to two PCMCIA CA modules to decrypt various conditional access systems, such as Conax, CryptoWorks, Irdeto, NDS and Viaccess etc. Easy to use, low maintain cost and flexible factory optional make the DCH-3000P the best choice for CATV digital headend system.

Features

- Factory optional for DVB-S/C/T reception
- MPEG-2 (MP@ML) decoding
- Up to 2 Common Interface slots (PCMCIA) can support various CAM modules
- ASI Input (optional)
- TS loop through output for further decrypting
- CVBS video and balanced stereo audio XRL output
- Transparent decrypted or non-decryption switch
- Auto network or transponder search function and dynamic update following stream changing
- Support OSD, Teletext (DVB ETS 300 706) and Subtitle display
- EPG function, support PIG (Picture in Graphics) display
- 256 color OSD, support various languages
- Software upgrade via RS-232 interface
- Automatic last channel memory

* Specifications are subject to change without notice *

QPSK Demodulation (Comply with DVB-S, MPEG2, ETSI 300421 standard)

Input frequency range	950~2150MHz
Input level	-25~-65dBm
Input impedance	75Ω F-type female
Symbol rate	2~45MBauds (SCPC or MCPC)
Rolling off factor	0.20 or 0.35
Punctured rates	1/2, 2/3, 3/4, 5/6, 6/7, 7/8
Reed-Solomon decode	204, 188, T=8 & I=12

DVB-C QAM Demodulation

Input symbol rate range	1~7MS/s (PAL) , 1~6MS/s (NTSC)
Demodulation	16/32/64/128/256QAM
Bandwidth	6MHz/7MHz/8MHz
FEC code rate	1/2, 2/3, 3/4, 5/6, 7/8; K=7
Input frequency range	48~860MHz
Input level	-15~15dBmV
Input impedance	75Ω, IEC

DVB-T COFDM Demodulation (comply with DVB-T&MPEG2 standard)

Input code rate	4.98~31.67Mbps (8MHz bandwidth)
Constellation	QPSK, 16-QAM, 64-QAM
Tuner bandwidth	8MHz
FFT mode	2K/8K
Guard interval	1/4, 1/8, 1/16, 1/32, off
FEC code rate	1/2, 2/3, 3/4, 5/6, 7/8
Input frequency	470~862MHz, 174~230MHz
Input level	-20~-70dBmV
Input impedance	75Ω, F-type

DS3 Input

Input impedance	75Ω
Connector	BNC
Max. input rate	44.736Mbit/s
Format	Unframed or framed Framing according to G.804/G.752 (DS3)

DS3 Loop through

Impedance	75Ω
Max. output code rate	44.736Mbit/s
Connector	BNC
Format	Unframed or framed Framing according to G.804/G.752 (DS3)

* Specifications are subject to change without notice *

DCH-3000P

Professional Digital IRD

Specifications

Front Panel

Digital LED display	4×LED to display current channel number
CI PCMCIA module slots	2×JEIDA 4.0 PCMCIA type II type, support various CAS
Control button	8 buttons for full operation
LED	3×LED for simple status monitoring

Rear Panel

Tuner input and output	Signal input and loop through output
Power supply	AC 90~240V, 50/60Hz
RS-232	for software update
ASI	1×input (optional) 2×output (optional)
XRL output	2×XRL
CVBS output	1×BNC
RCA output	1×RCA

General

Operating temperature	0~45°C
Storage temperature	-20~70°C
Dimension	44mm×483mm×240mm
Weight	3Kg

Model List

Function	DCH-3000P-DS3	DCH-3000P-30x			DCH-3000P-20x			DCH-3000P-18x			DCH-3000P-10x		
		-30S	-30C	-30T	-20S	-20C	-20T	-18S	-18C	-18T	-10S	-10C	-10T
DS3 input/loop	•												
DVB-S input		•			•			•			•		
DVB-C input			•			•			•			•	
DVB-T input				•			•			•			•
PCMCIA slot (×2)	•	•	•	•	•	•	•				•	•	•
ASI input	•	•	•	•									
ASI output	•	•	•	•	•	•	•	•	•	•			
CVBS output	•	•	•	•	•	•	•	•	•	•	•	•	•
RCA output	•	•	•	•	•	•	•	•	•	•	•	•	•
XRL output	•	•	•	•	•	•	•	•	•	•	•	•	•
*Simulcrypt Compliant	•	•	•	•	•	•	•				•	•	•
ASI cascade connection	•	•	•	•									
Last channel memory	•	•	•	•	•	•	•	•	•	•	•	•	•
Support NTSC/PAL/AUTO	•	•	•	•	•	•	•	•	•	•	•	•	•
RS-232	•	•	•	•	•	•	•	•	•	•	•	•	•

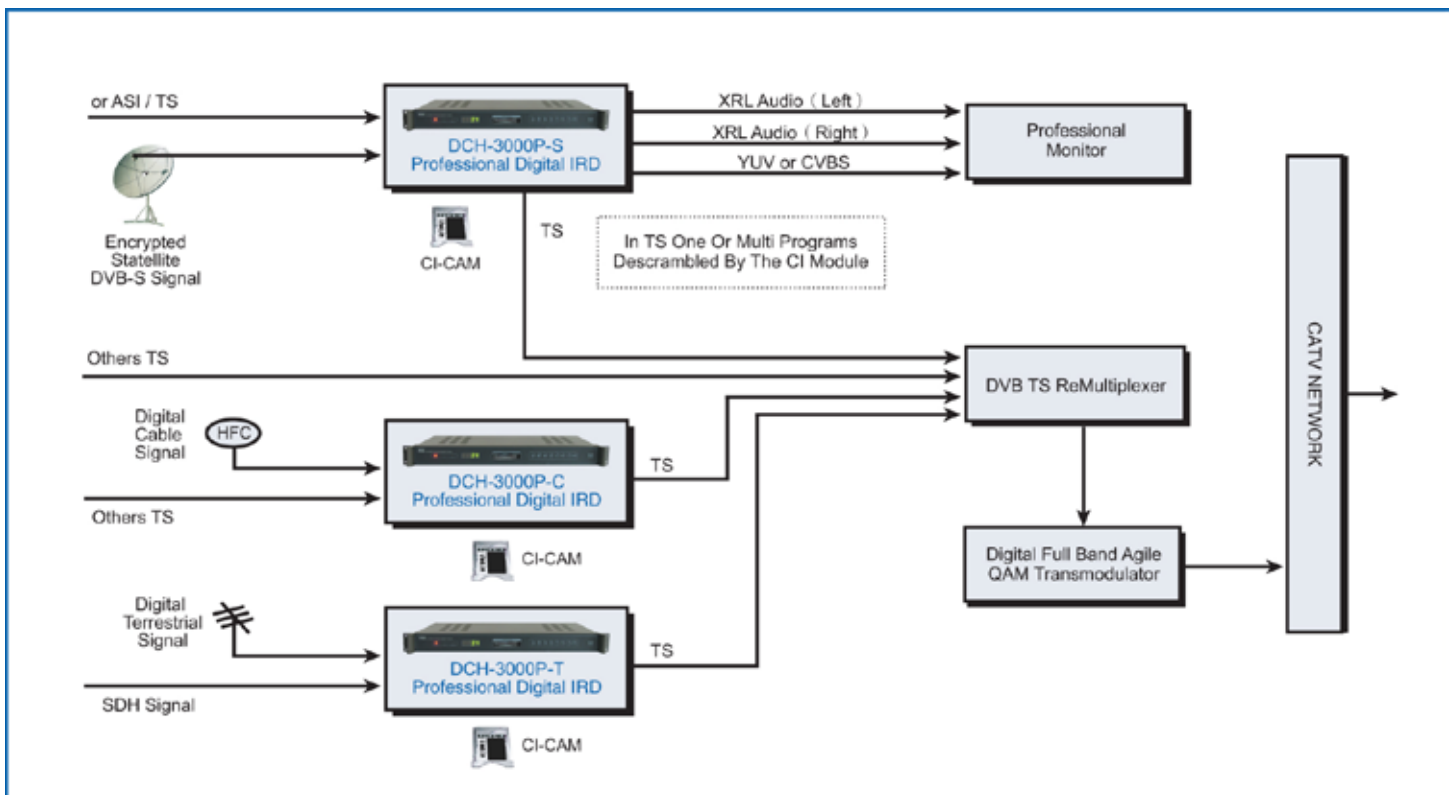
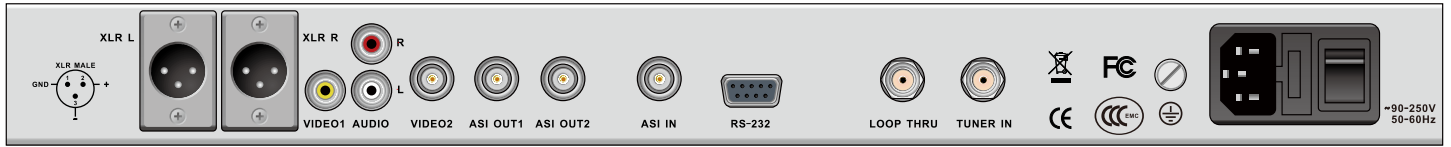
*Multiple Decryption CAM is needed.

* Specifications are subject to change without notice *

DCH-3000P

Professional Digital IRD

Specifications



* Specifications are subject to change without notice *